

Technical Information for Typical Stretch Ceilings

Recommended panel ceiling part to be fixed to aluminium profiles:
50m²

Ceiling weight:
200g/m² ± 10%

Ceiling thickness:
0.17 mm ± 10%

Material band width:
Laques-1,50m / Satine- 2,00m / Mat-1,50m / Transparent -2,00m, 2,40m / Metalic-1,50m

Stability of materials after exposure to heat (at exposure temperature of +70°C during 5 minutes and 2 hours in laboratory conditions):
longitudinal: - 0.23%
transversal: + 0.07%

Heat transfer coefficient:
0.16 W/(m² x K)

Water vapour transmission rate according to ISO 2528:1995 (at +38°C and humidity of 90%):
32.9 g/(m² x 24h)

Dimensional stability in chlorinated atmosphere according to PN-EN 14716:2005:
along calendering direction 0.35%
across calendering direction 0.20%

Colour resistance to light according to blue scale:
>6

Light transmittance of Transparent Collection materials:
48.5 % - 85.6 %

Light reflection of Transparent Collection materials:
12.3% - 48.6%

Absorption coefficient for non-perforated surfaces:

Frequency (Hz)	100	125	250	500	1k	2k	4k
Absorption coefficient	0.14	0.17	0.63	0.64	0.24	0.19	0.14

Absorption coefficient for perforation of 250,000 holes per square meter:

Frequency (Hz)	100	125	250	500	1k	2k	4k
Absorption coefficient	0.15	0.20	0.65	1.00	0.80	0.70	0.60

Fire classification:

B-s2, d0 acc. to PN-EN 13501-1:2004
Class A acc. to ASTM E 84-08A, Equivalent to Class "0"

Installation:

Cut to size the mounting bars to match the walls. Determine anchoring points by borings to be made every 20 cm. Fasten the bars with wall plugs to the room walls according to the pre-determined ceiling level and butt-joined. Cut the profiles at an angle on inner and outer corners. For waves or arches shaping of the wall-mount structure is carried out by moulding the bar being cut where the number of cuts (to be made every 2 cm or 4 cm) depends on the arch radius. Using a gas heater raise the temperature inside the room where the stretched ceiling DPS is to be installed to 43-70°C. Installation of the ceiling is performed by placing a wedge hook inside the mounting gap with an appropriate putty knife. Stretching of the ceiling is completed once the wedge hook is fully inserted into the mounting bar. DPS stretched ceiling technology enables also the installation of accessories such as lighting fixtures, outlet grilles, shutters etc.

Care methods:

Clean the ceiling surface with DPS PLAFONCLEAN using special microfiber cloth (once every 5 to 7 years). In case of rooms which require particular sterility the ceilings can be cleaned with the use of water vapour or chemicals (selection to be agreed with DPS).

Warranty:

Warranty period of 10 years is provided.

Certificates of DPS:

Certificate of Conformity EC 1488-CPD-0106/W according to EN 14716:2004 (CE)
Certification Mark - Building Product (CE)
Hygiene Certificate PZH HK/B/0083/01/2006
Classification report on response to fire No. NP-1050/P/08/AK (ITB)
Classification report on response to fire No. 08-07144 (COMMERCIAL TESTING COMPANY)

PRODUCT, COLOURS, DESIGNS AND SPECIFICATIONS MAY CHANGE WITHOUT NOTICE, WE ALSO RESERVE THE RIGHT TO SUBSTITUTE PRODUCTS.

GRUPA DPS sp. z o.o.

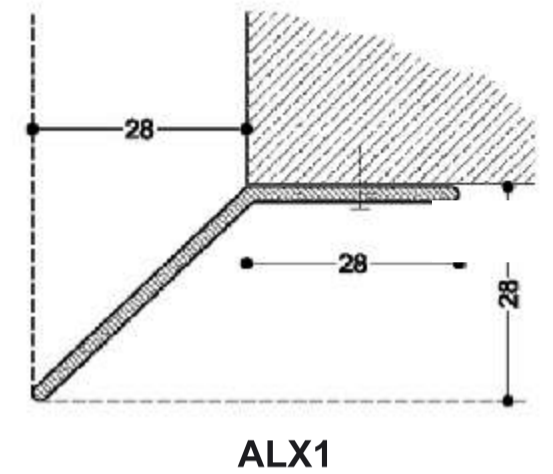
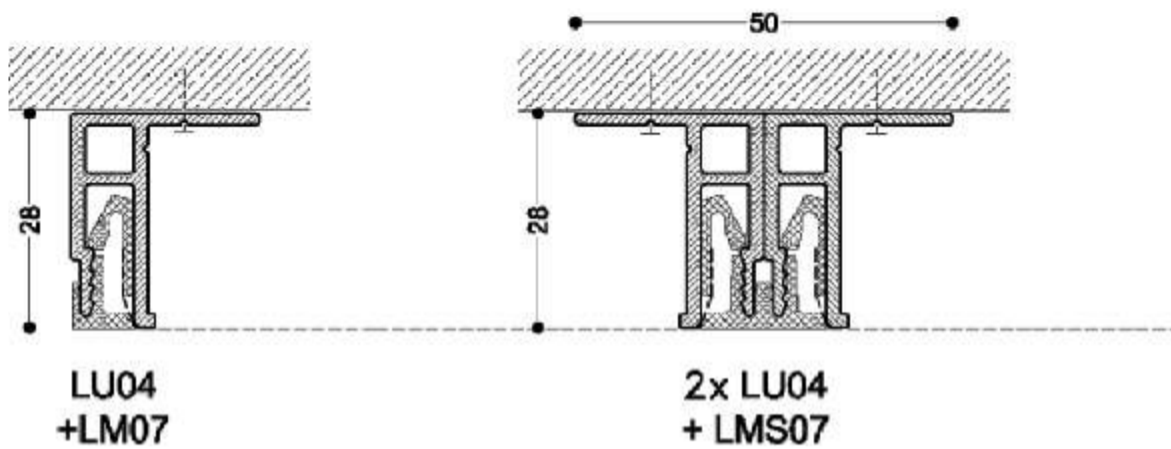
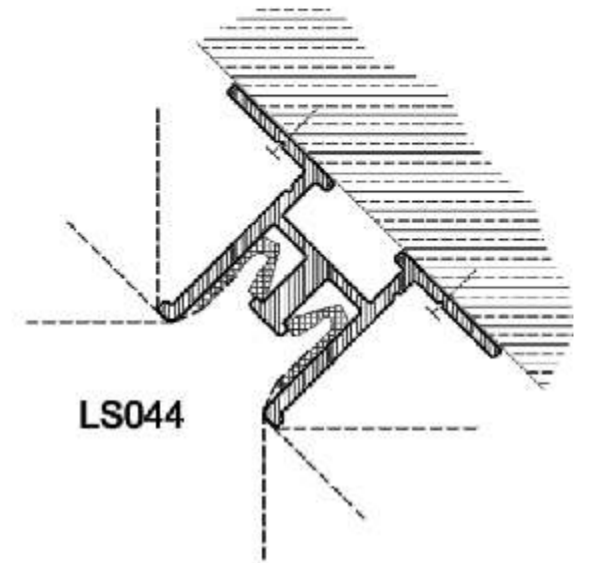
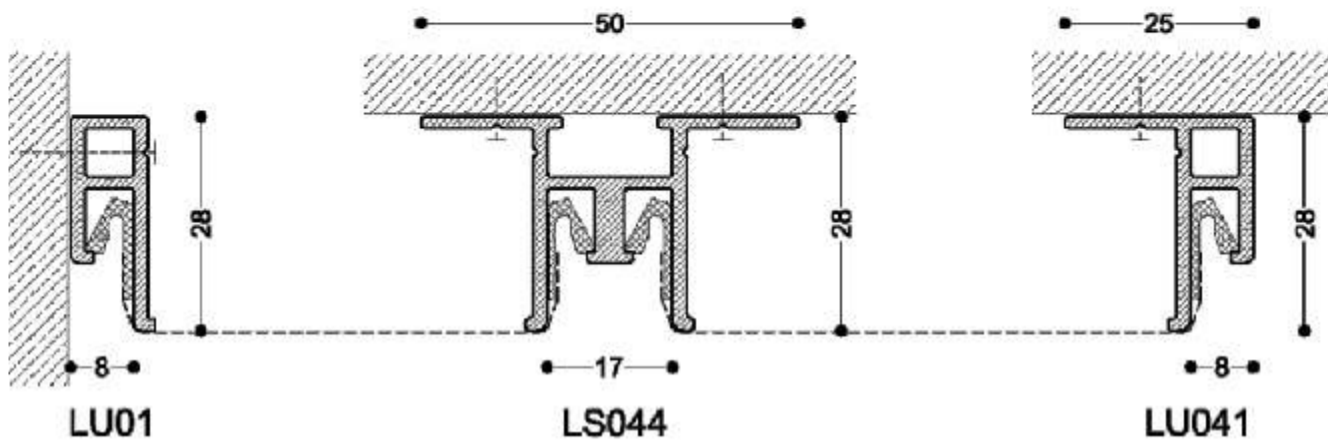
ul. Krakowska 85A, 40-391 Katowice, POLAND
tel. (+48 32) 204 96 80, 209 98 23. fax (+48 32) 209 96 86
e-mail: info@grupadps.com www.grupadps.com



TECHNICAL INFORMATION

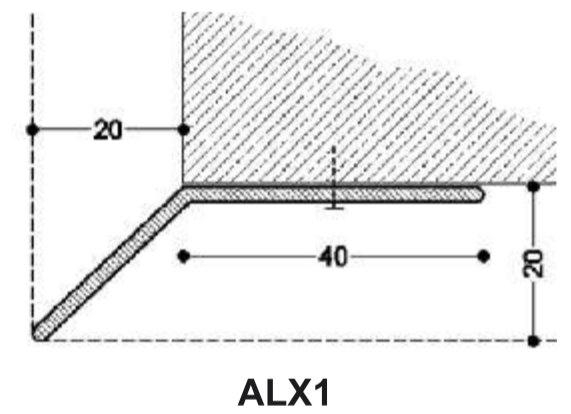
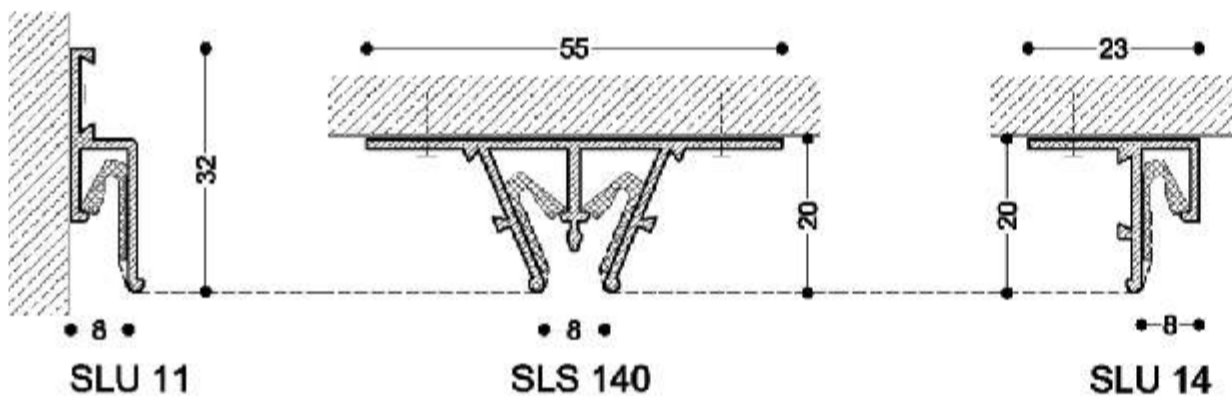
BASIC ALUMINIUM PROFILES

ALSO AVAILABLE IN CAD FORMAT

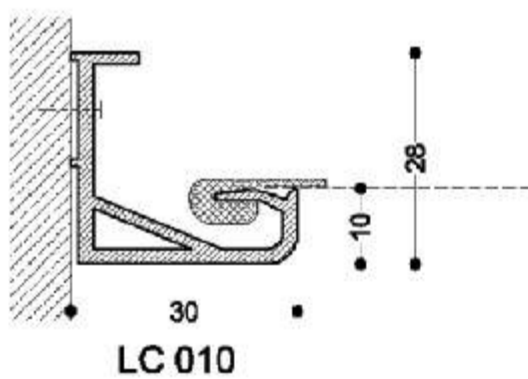


PROFILE WEIGHT PER LM: LU01: 0,33KG; LU04/LU041: 0,36KG; LS44: 0,62KG

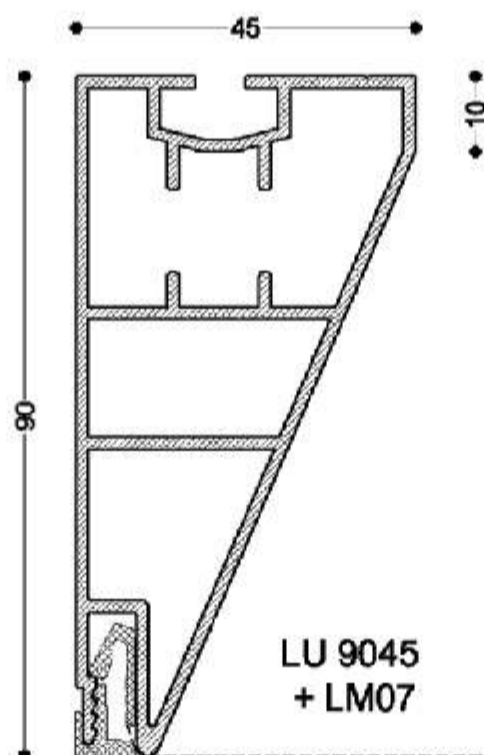
SLIM ALUMINIUM PROFILES



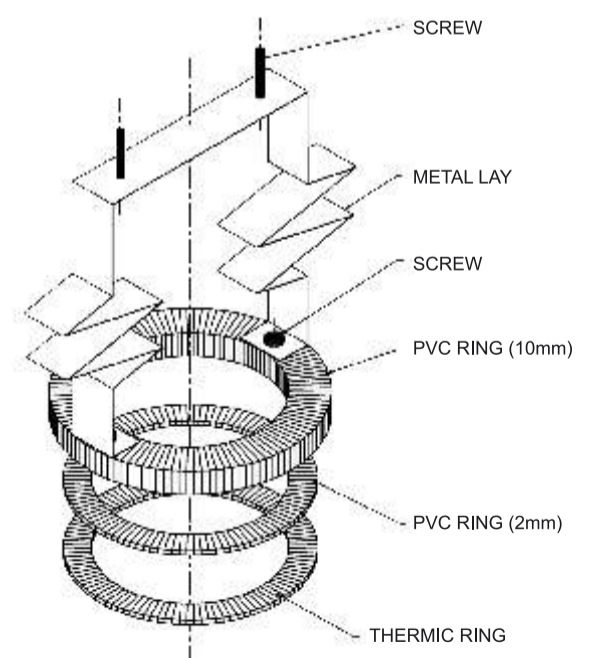
PLASTIC RANGE



ALUMINIUM FRAME SECTION



TYPICAL LIGHT FITTING



PROFILE WEIGHT PER LM: SLU11/SLU14: 0,20KG; SLS140: 0,40KG; LC010: 0,22KG



t (+48 32) 204 96 80, 209 98 23, e info@grupadps.com www.grupadps.com

